

# Split-Core AC Current 4 to 20 mA Transducer MCT-0024-250, 4 to 20mA DC Output

24mm Opening With Rating of 250 Amps

## Description:

Magnelab's MCT-0024-250 split-core current transducer "senses" AC current up to 250 Amps passing through the center conductor. Split-core transducers are ideal for installation on existing electrical wiring by snapping around the conductor. The MCT-0024-250 has a self-locking mechanism.



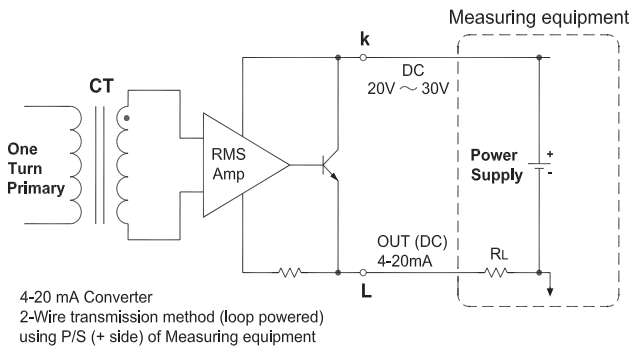
## Features:

- Rated input up to 250 Amp
- Output of standard 4 to 20 mA DC
- Accuracy  $\pm 2\%$  FS, ripple within 2% of output voltage
- Maximum load resistance 600 Ohms at Power Supply 24 V
- 24 Vdc Loop Power 20 - 30 Vdc (25 mA max.)

- Max allowable current 120% continuous, 150 % 1min
- Frequency range 50/60 Hz
- 2 X M3-Screw terminals
- Installation Category CAT III
- UL recognized IEC 61010-1, CE, and RoHS compliant
- Operating temperature -20°C to 50°C

PART NUMBER AND RATING	
MCT-0024-250	250 Amp

DIMENSION	INCH	MM
A	3.03	77.00
B	1.87	47.50
C	1.78	45.00
D	1.35	34.00
E	0.86	21.85



SCHMATIC

