

MAGNELAB

# Solid-Core AC Current Sensor UCT-0500

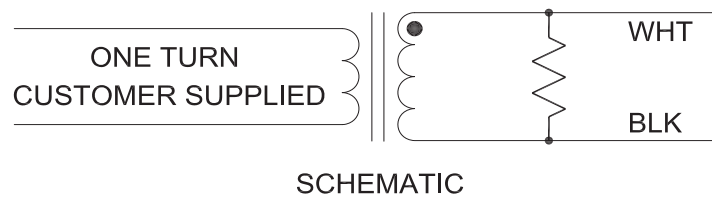
0.50" Opening with Ratings Up to 60 Amps

Revenue Grade

Magnelab UCT-0500 Series exceed Accuracy Class 0.5% per IEC 61869-2. Output is controlled by a precision resistor fixed at the industry standard of 0.333 Volt AC. The rugged epoxy encapsulated construction comes standard with 8 foot twisted leads. Custom lead length and other outputs are available upon request. Revenue Grade meets or exceeds IEC metering Class 0.5

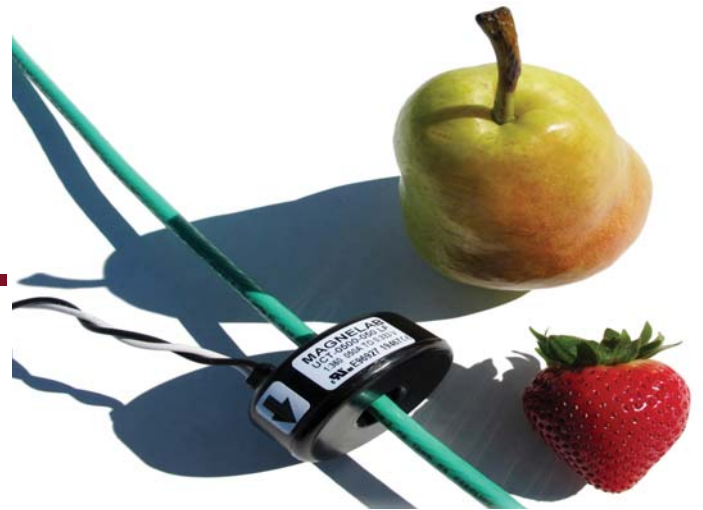
## SPECIFICATIONS

Rated Primary Current	Up to 60 Amp
Rated Output	0.33333 V (AC) at rated current
Accuracy	± 0.5% Class per IEC 61869-2
Phase Displacement	< 0.26°
Temperatures	UL Rated Ambient: 55°C Operating: -20°C to 105°C Storage: -40°C to 110°C
UL Relative Humidity Rating	85%
Leads	Length: 8 ft (2.4 m) 22 AWG twisted pair Rating: 600 V (UL 1015, UL 1213)
UL Max Voltage	600 V on Primary Conductor
RMS Voltage	3,800 V for AC insulation Test (1 min)
Rated Current Frequency	30-1000 Hz
Minimum impedance	75 kOhms
Certifications	UL Standard 61010-1, EN 60044-1
Weight	0.25 lbs (0.11 kg) with 8' leads



PART NUMBER	RATING
UCT-0500-000	No Burden Resistor *
UCT-0500-010	10 AMP
UCT-0500-015	15 AMP
UCT-0500-020	20 AMP
UCT-0500-030	30 AMP
UCT-0500-050	50 AMP
UCT-0500-060	60 AMP

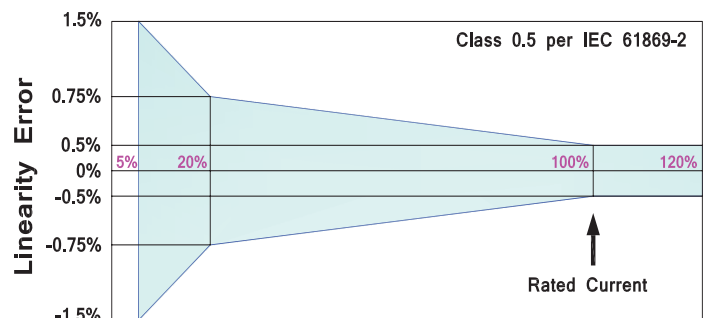
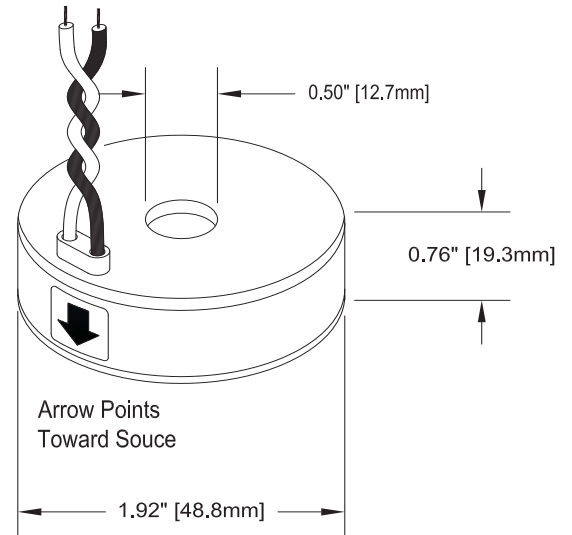
\* Limits the Output Voltage to 22 V



MAGNELAB.COM

## APPLICATIONS

- Submetering
- Revenue-grade Metering
- Smart Home Energy Management System
- Power Generation Monitoring
- Industrial Pump Monitoring
- Solar Consumption Monitoring
- EV Charging Stations
- Substation LV/MV/HV
- Lifecycle Management of Equipment



CE RoHS2 ISO9001

\*\*Magnelab reserves the right to implement modifications without prior notice